

KRAIBURG ergoBOARD

prerequisites:



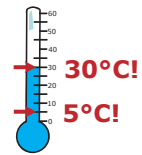
mats are already installed in the cubicles

concrete area:

- no holes
- no elevations

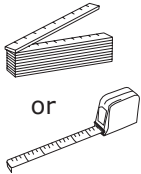
ergoBOARDs:

even temperature: minimum 5° C to maximum 30° C (store according to initial temperature)

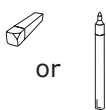


You will need this:

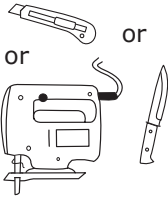
measuring:



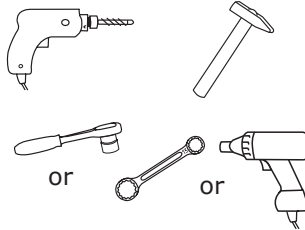
marking:



cutting:



drilling and installing:



KRAIBURG fastening elements:

- framing plugs \varnothing 10 x 80 mm with
- hexagon screw (SW 13) - A2
- washer \varnothing 40 mm - A2

(fastening elements are part of delivery)

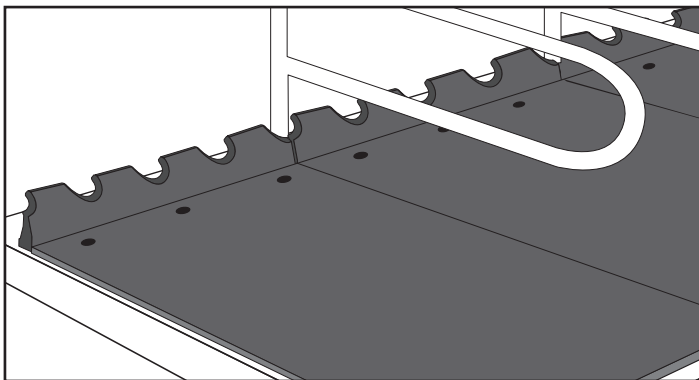


Important: use ergoBOARDs with adequate length:

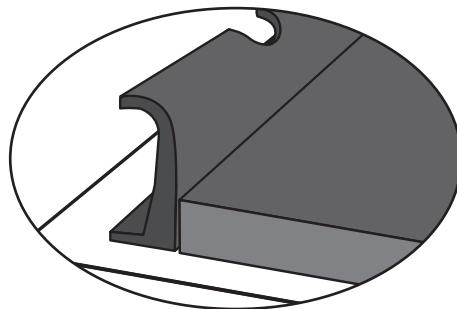
- width of lying place 115 cm: ergoBOARD with 115 cm length
 - width of lying place 120 cm or more: ergoBOARD with 120 cm length
 - width of lying place between 115 and 120 cm: mix both lengths
- (The installation of ergoBOARD is only possible at a width of lying place of at least 115 cm.)

1 Position ergoBOARDs

put together loosely and arrange **centered towards lying place**



rounded edge facing forward



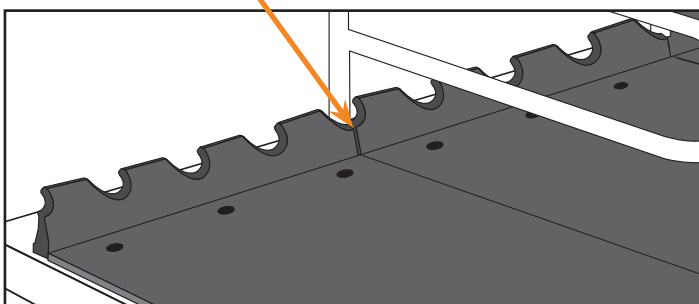
position optionally with a gap between lying mat and ergoBOARD

-> **consultation required!** ☎

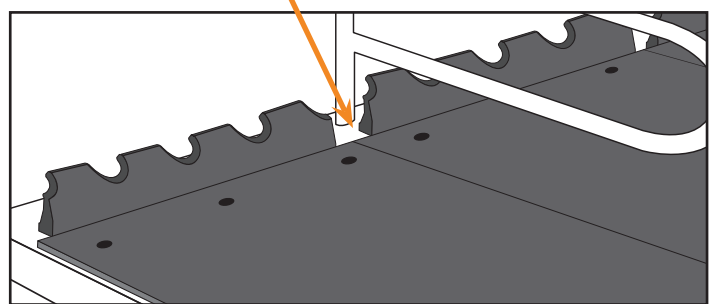


Two installing options possible:

joint is under the divider (max. +/- 6 cm)



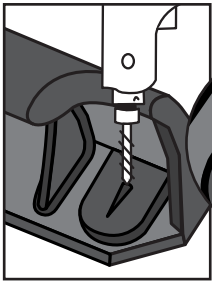
a gap between two ergoBOARDs can be possible



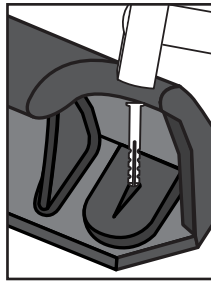
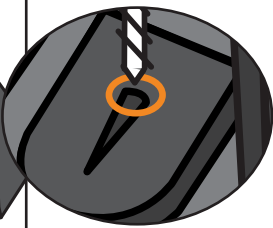
② Fastening

fasten at the pre-fabricated markings:

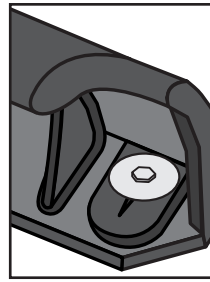
⚠ fasten at each marking!



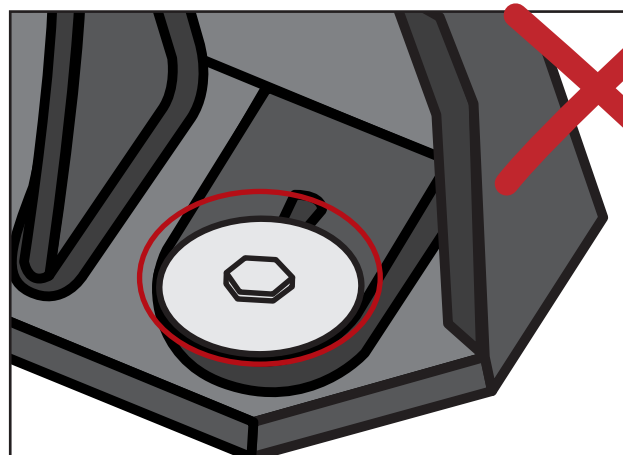
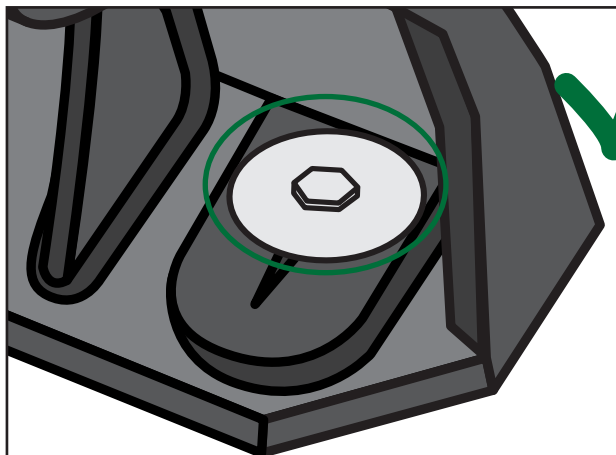
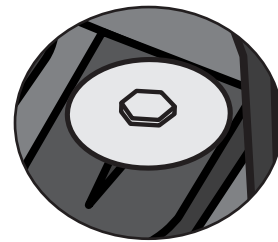
drill



pound the plastic plugs in flush



fasten screws and washers until they are seated evenly fast.
Do not overtighten!



ⓘ tip: avoid slippage:
 1. drill first hole
 2. pound in a plug (-> fixation)
 3. afterwards drill further holes and so on